



中華起重機械有限公司

TAIWAN HOIST AND CRANE CO., LTD.

32053 桃園市中壢區山東路157巷88號

電話: 03-4984188

傳真: 03-4984198

E-Mail: thac@taiwanhoist.com.tw

No.,88, Ln.157, Shandong Rd., Zhongli Dis

Taoyuan City, 32053, Taiwan (R.O.C)

Tel: +886-3-498-4188 Fax: +886-3-498-4198

E-Mail: thac@taiwanhoist.com.tw

INQUIRY FORM

Your Company's Information:

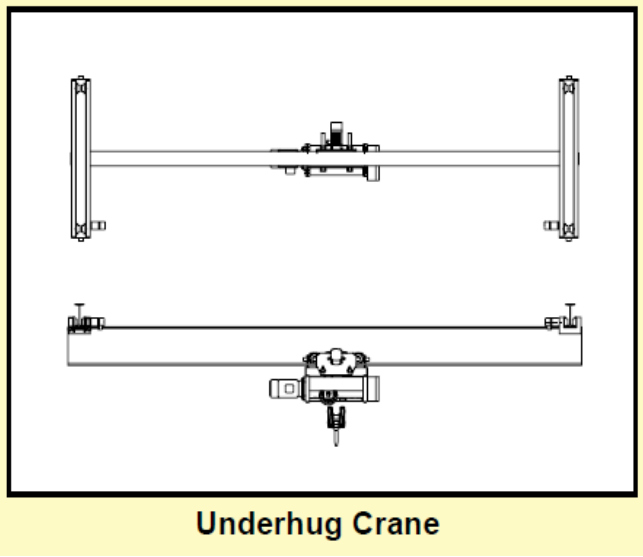
Company: _____ Name: _____
 Address: _____
 Telephone: _____ Fax: _____
 E-Mail: _____ Website: _____

Underhug E.O.T Crane Basic Specifications:

Indoor use Outdoor use
 Crane Purpose: _____
 Load Capacity: _____
 Lifting Height: _____
 Girder Span: _____
 Long Travel Length: _____

Inverter Speed Single Speed
 Lifting Speed: _____m/min
 Lifting Speed: Maker's Standard
 Cross Trolley Speed: _____m/min
 Cross Trolley Speed: Maker's Standard
 Long Travel Speed: _____m/min
 Long Travel Speed: Maker's Standard

Working Duty: _____hours/day.
 Or Duty Cycle: _____%ED



Low Headroom Monorail



With Cabin
 With Wireless Radio Remote Controller

Special Comments:

Please fax this sheet to +886-3-4984198. Or E-Mail to thac@taiwanhoist.com.tw
 We will response immediately.