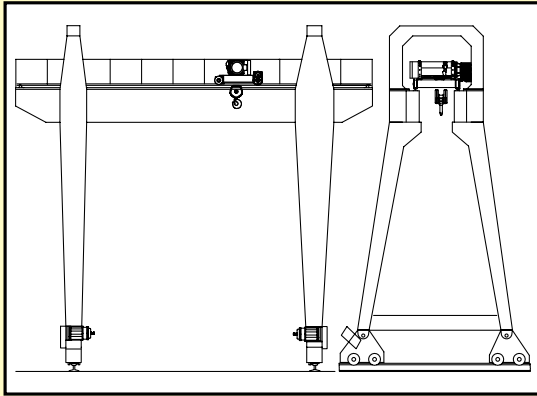
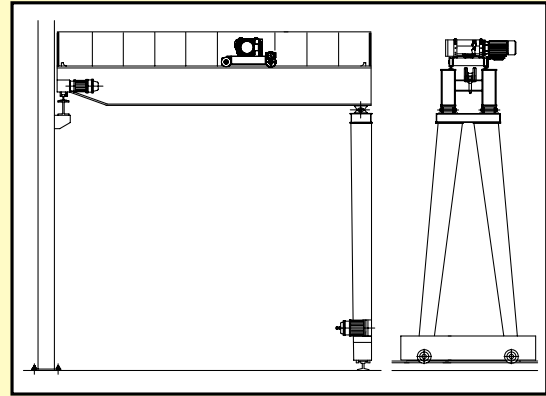


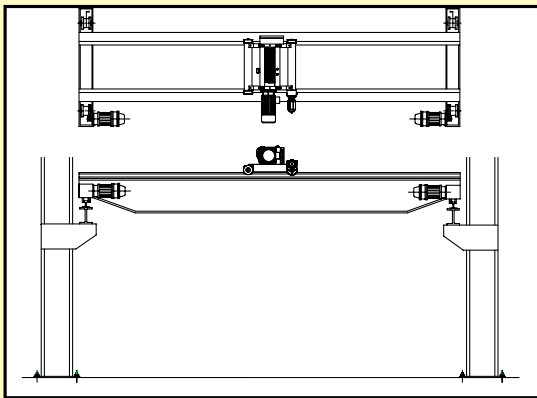
Application of hoists



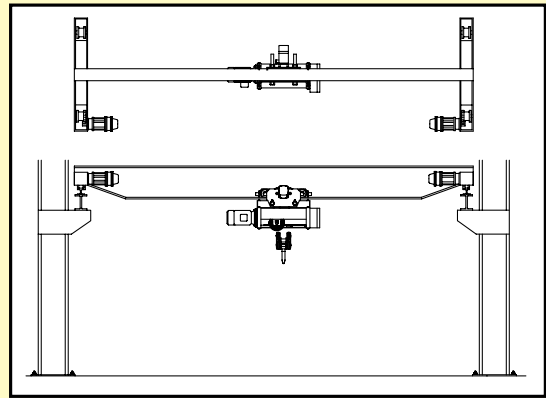
Gantry Crane



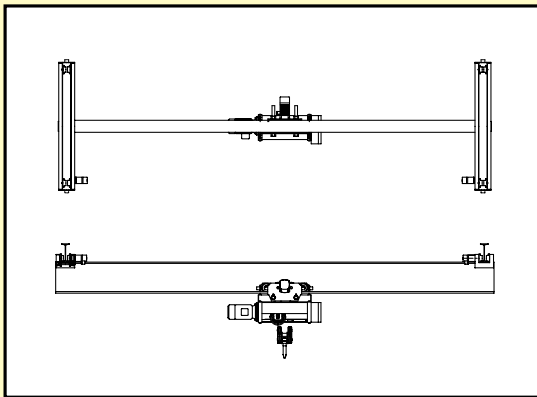
Semi-Gantry Crane



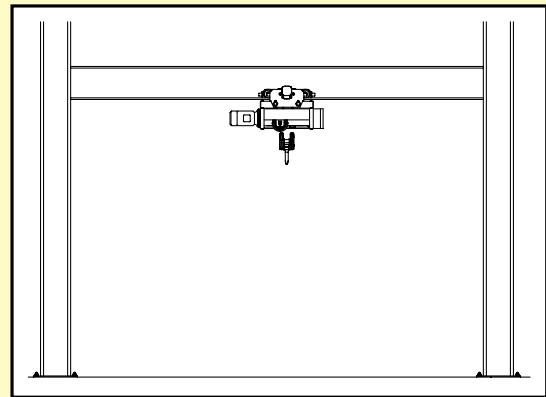
Double-Girder E.O.T. Crane



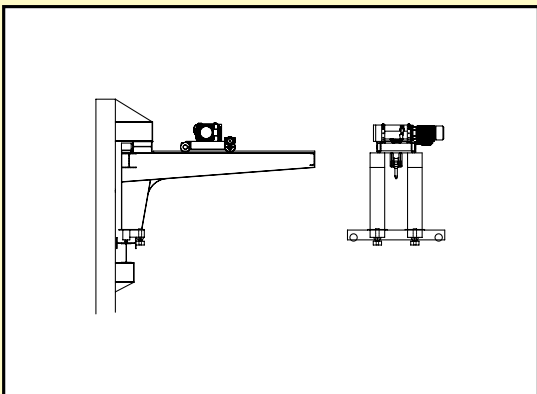
Single-Girder E.O.T. Crane



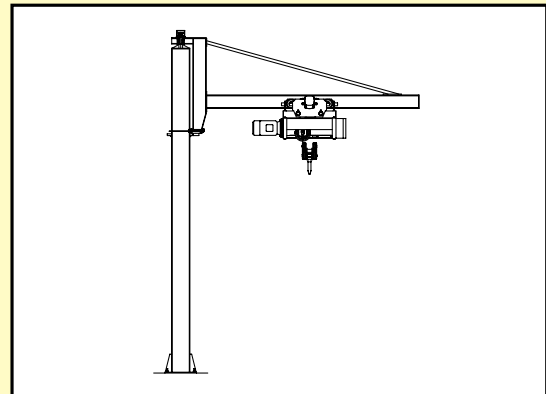
Underhug Crane



Mono-rail Hoist



Wall Crane



Jib Crane



中華起重機械有限公司

TAIWAN HOIST AND CRANE CO., LTD.

32053 桃園市中壢區山東路157巷88號
 電話: 03-4984188
 傳真: 03-4984198
 E-Mail: thac@taiwanhoist.com.tw

No.,88, Ln.157, Shandong Rd., Zhongli Dis
 Taoyuan City, 32053, Taiwan (R.O.C)
 Tel: +886-3-498-4188 Fax: +886-3-498-4198
 E-Mail: thac@taiwanhoist.com.tw

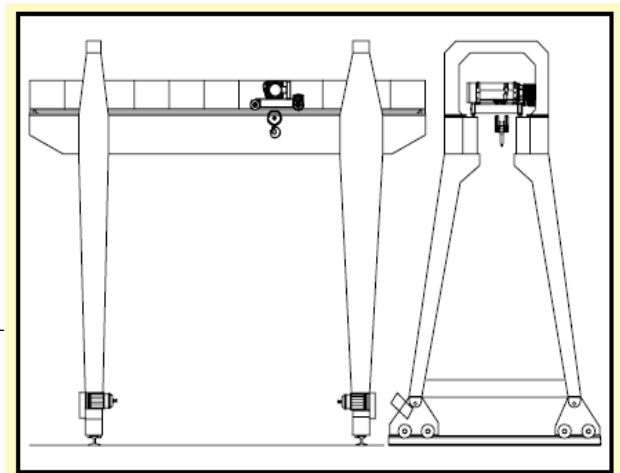
INQUIRY FORM

Your Company's Information:

Company: _____ Name: _____
 Address: _____
 Telephone: _____ Fax: _____
 E-Mail: _____ Website: _____

Gantry Crane Basic Specifications:

Indoor use Outdoor use
 Double Girder Single Girder
 Load Capacity: _____
 Lifting Height: _____
 Girder Span: _____
 Long Travel Length: _____
 Inverter Speed Single Speed
 Lifting Speed: _____ m/min
 Lifting Speed: Maker's Standard
 Select Hoist Type:



Gantry Crane

- Double Girder Single Girder Low Headroom Monorail



Cross Trolley Speed: _____ m/min
 Cross Trolley Speed: Maker's Standard
 Long Travel Speed: _____ m/min
 Long Travel Speed: Maker's Standard

Special Comments:

Working Duty: _____ hours/day. Or Duty Cycle: _____ %ED

- With Cabin With Wireless Radio Remote Controller

Please fax this sheet to +886-3-4984198. Or E-Mail to thac@taiwanhoist.com.tw
 We will response immediately.



中華起重機械有限公司

TAIWAN HOIST AND CRANE CO., LTD.

32053 桃園市中壢區山東路157巷88號
 電話: 03-4984188
 傳真: 03-4984198
 E-Mail: thac@taiwanhoist.com.tw

No.,88, Ln.157, Shandong Rd., Zhongli Dis
 Taoyuan City, 32053, Taiwan (R.O.C)
 Tel: +886-3-498-4188 Fax: +886-3-498-4198
 E-Mail: thac@taiwanhoist.com.tw

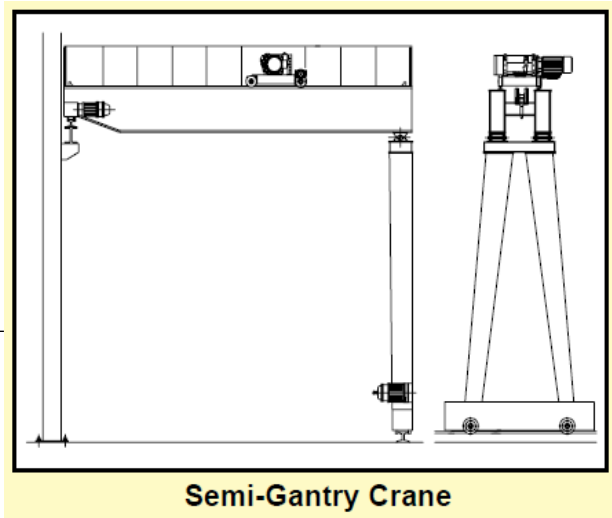
INQUIRY FORM

Your Company's Information:

Company: _____ Name: _____
 Address: _____
 Telephone: _____ Fax: _____
 E-Mail: _____ Website: _____

Semi Gantry Crane Basic Specifications:

Indoor use Outdoor use
 Double Girder Single Girder
 Load Capacity: _____
 Lifting Height: _____
 Girder Span: _____
 Long Travel Length: _____
 Inverter Speed Single Speed
 Lifting Speed: _____ m/min
 Lifting Speed: Maker's Standard
 Select Hoist Type:



- Double Girder Single Girder Low Headroom Monorail



Cross Trolley Speed: _____ m/min
 Cross Trolley Speed: Maker's Standard
 Long Travel Speed: _____ m/min
 Long Travel Speed: Maker's Standard

Special Comments:

Working Duty: _____ hours/day. Or Duty Cycle: _____ %ED

- With Cabin With Wireless Radio Remote Controller

Please fax this sheet to +886-3-4984198. Or E-Mail to thac@taiwanhoist.com.tw
 We will response immediately.



中華起重機械有限公司

TAIWAN HOIST AND CRANE CO., LTD.

32053 桃園市中壢區山東路157巷88號

電話: 03-4984188

傳真: 03-4984198

E-Mail: thac@taiwanhoist.com.tw

No.,88, Ln.157, Shandong Rd., Zhongli Dis

Taoyuan City, 32053, Taiwan (R.O.C)

Tel: +886-3-498-4188 Fax: +886-3-498-4198

E-Mail: thac@taiwanhoist.com.tw

INQUIRY FORM

Your Company's Information:

Company: _____ Name: _____
 Address: _____
 Telephone: _____ Fax: _____
 E-Mail: _____ Website: _____

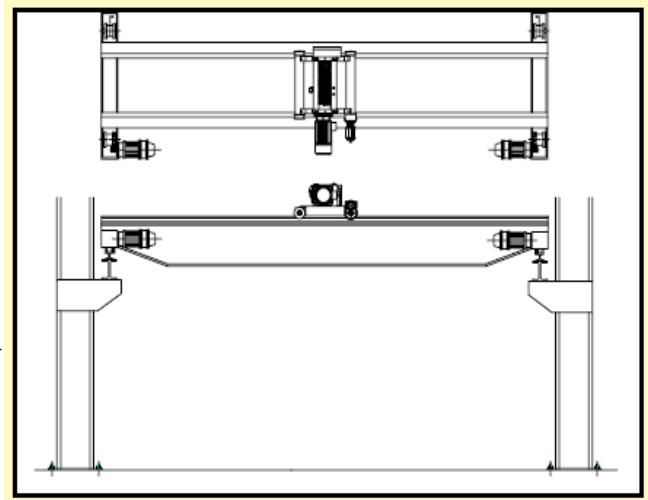
Double Girder E.O.T Crane Basic Specifications:

Indoor use Outdoor use
 Crane Purpose: _____
 Load Capacity: _____
 Lifting Height: _____
 Girder Span: _____
 Long Travel Length: _____

Inverter Speed Single Speed
 Lifting Speed: _____ m/min
 Lifting Speed: Maker's Standard
 Cross Trolley Speed: _____ m/min
 Cross Trolley Speed: Maker's Standard
 Long Travel Speed: _____ m/min
 Long Travel Speed: Maker's Standard

Working Duty: _____ hours/day.
 Or Duty Cycle: _____ %ED

With Cabin
 With Wireless Radio Remote Controller



Double-Girder E.O.T. Crane



Special Comments:

Please fax this sheet to +886-3-4984198. Or E-Mail to thac@taiwanhoist.com.tw
 We will response immediately.



中華起重機械有限公司

TAIWAN HOIST AND CRANE CO., LTD.

32053 桃園市中壢區山東路157巷88號

電話: 03-4984188

傳真: 03-4984198

E-Mail: thac@taiwanhoist.com.tw

No.,88, Ln.157, Shandong Rd., Zhongli Dis

Taoyuan City, 32053, Taiwan (R.O.C)

Tel: +886-3-498-4188 Fax: +886-3-498-4198

E-Mail: thac@taiwanhoist.com.tw

INQUIRY FORM

Your Company's Information:

Company: _____ Name: _____

Address: _____

Telephone: _____ Fax: _____

E-Mail: _____ Website: _____

Single Girder E.O.T Crane Basic Specifications:

Indoor use Outdoor use

Crane Purpose: _____

Load Capacity: _____

Lifting Height: _____

Girder Span: _____

Long Travel Length: _____

Inverter Speed Single Speed

Lifting Speed: _____ m/min

Lifting Speed: Maker's Standard

Cross Trolley Speed: _____ m/min

Cross Trolley Speed: Maker's Standard

Long Travel Speed: _____ m/min

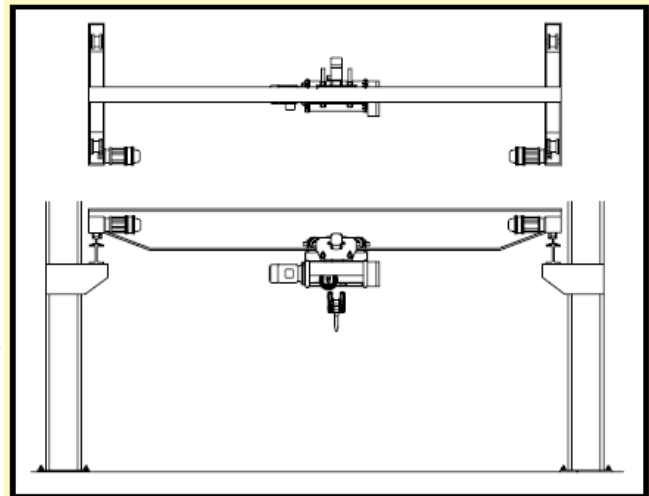
Long Travel Speed: Maker's Standard

Working Duty: _____ hours/day.

Or Duty Cycle: _____ %ED

With Cabin

With Wireless Radio Remote Controller



Single-Girder E.O.T. Crane

Low Headroom

Monorail



Special Comments:

Please fax this sheet to +886-3-4984198. Or E-Mail to thac@taiwanhoist.com.tw
We will response immediately.



中華起重機械有限公司

TAIWAN HOIST AND CRANE CO., LTD.

32053 桃園市中壢區山東路157巷88號

電話: 03-4984188

傳真: 03-4984198

E-Mail: thac@taiwanhoist.com.tw

No.,88, Ln.157, Shandong Rd., Zhongli Dis

Taoyuan City, 32053, Taiwan (R.O.C)

Tel: +886-3-498-4188 Fax: +886-3-498-4198

E-Mail: thac@taiwanhoist.com.tw

INQUIRY FORM

Your Company's Information:

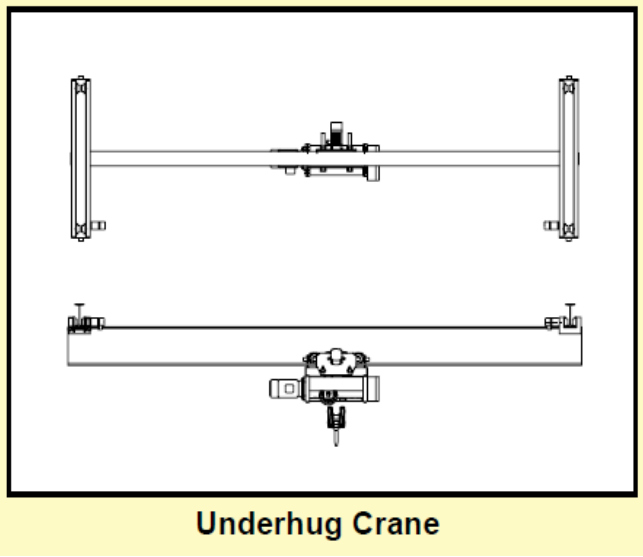
Company: _____ Name: _____
 Address: _____
 Telephone: _____ Fax: _____
 E-Mail: _____ Website: _____

Underhug E.O.T Crane Basic Specifications:

Indoor use Outdoor use
 Crane Purpose: _____
 Load Capacity: _____
 Lifting Height: _____
 Girder Span: _____
 Long Travel Length: _____

Inverter Speed Single Speed
 Lifting Speed: _____ m/min
 Lifting Speed: Maker's Standard
 Cross Trolley Speed: _____ m/min
 Cross Trolley Speed: Maker's Standard
 Long Travel Speed: _____ m/min
 Long Travel Speed: Maker's Standard

Working Duty: _____ hours/day.
 Or Duty Cycle: _____ %ED



Low Headroom Monorail



With Cabin
 With Wireless Radio Remote Controller

Special Comments:

Please fax this sheet to +886-3-4984198. Or E-Mail to thac@taiwanhoist.com.tw
 We will response immediately.



中華起重機械有限公司

TAIWAN HOIST AND CRANE CO., LTD.

32053 桃園市中壢區山東路157巷88號

電話: 03-4984188

傳真: 03-4984198

E-Mail: thac@taiwanhoist.com.tw

No.,88, Ln.157, Shandong Rd., Zhongli Dis

Taoyuan City, 32053, Taiwan (R.O.C)

Tel: +886-3-498-4188 Fax: +886-3-498-4198

E-Mail: thac@taiwanhoist.com.tw

INQUIRY FORM

Your Company's Information:

Company: _____ Name: _____
 Address: _____
 Telephone: _____ Fax: _____
 E-Mail: _____ Website: _____

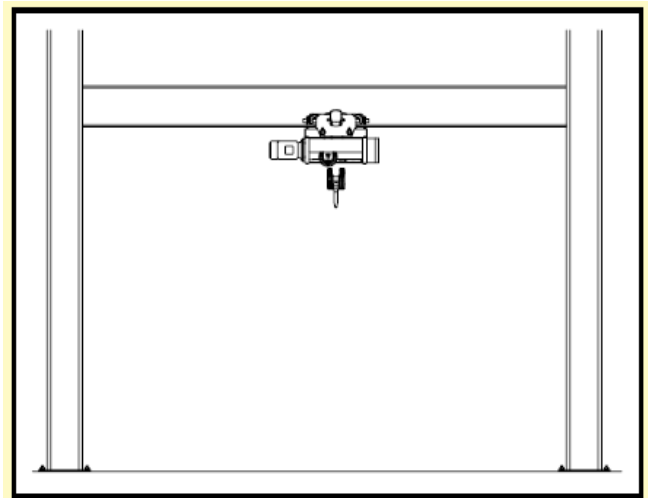
Mono Rail E.O.T Crane Basic Specifications:

Indoor use Outdoor use
 Crane Purpose: _____
 Load Capacity: _____
 Lifting Height: _____
 Girder Span: _____

Inverter Speed Single Speed
 Lifting Speed: _____ m/min
 Lifting Speed: Maker's Standard
 Cross Trolley Speed: _____ m/min
 Cross Trolley Speed: Maker's Standard

Working Duty: _____ hours/day.
 Or Duty Cycle: _____ %ED

With Wireless Radio Remote Controller



Mono-rail Hoist

Low Headroom

Monorail



Special Comments:

*Please fax this sheet to +886-3-4984198. Or E-Mail to thac@taiwanhoist.com.tw
 We will response immediately.*



中華起重機械有限公司

TAIWAN HOIST AND CRANE CO., LTD.

32053 桃園市中壢區山東路157巷88號
 電話: 03-4984188
 傳真: 03-4984198
 E-Mail: thac@taiwanhoist.com.tw

No.,88, Ln.157, Shandong Rd., Zhongli Dis
 Taoyuan City, 32053, Taiwan (R.O.C)
 Tel: +886-3-498-4188 Fax: +886-3-498-4198
 E-Mail: thac@taiwanhoist.com.tw

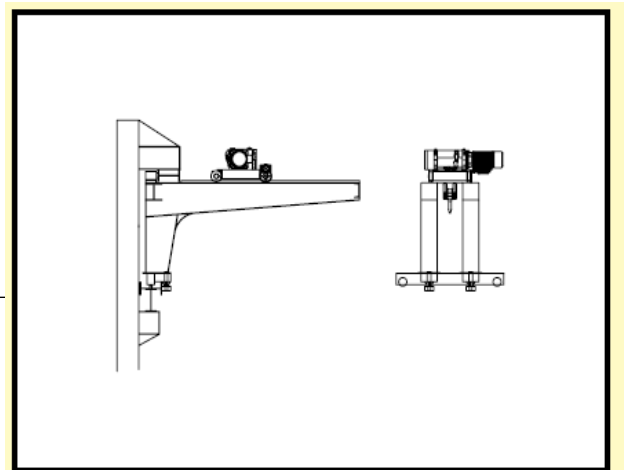
INQUIRY FORM

Your Company's Information:

Company: _____ Name: _____
 Address: _____
 Telephone: _____ Fax: _____
 E-Mail: _____ Website: _____

Wall Crane Basic Specifications:

Indoor use Outdoor use
 Double Girder Single Girder
 Load Capacity: _____
 Lifting Height: _____
 Girder Span: _____
 Long Travel Length: _____
 Inverter Speed Single Speed
 Lifting Speed: _____ m/min
 Lifting Speed: Maker's Standard
 Select Hoist Type:



Wall Crane

- Double Girder Single Girder Low Headroom Monorail



Cross Trolley Speed: _____ m/min
 Cross Trolley Speed: Maker's Standard
 Long Travel Speed: _____ m/min
 Long Travel Speed: Maker's Standard

Special Comments:

Working Duty: _____ hours/day. Or Duty Cycle: _____ %ED

With Wireless Radio Remote Controller

Please fax this sheet to +886-3-4984198. Or E-Mail to thac@taiwanhoist.com.tw
 We will response immediately.



中華起重機械有限公司

TAIWAN HOIST AND CRANE CO., LTD.

32053 桃園市中壢區山東路157巷88號

電話: 03-4984188

傳真: 03-4984198

E-Mail: thac@taiwanhoist.com.tw

No.,88, Ln.157, Shandong Rd., Zhongli Dis

Taoyuan City, 32053, Taiwan (R.O.C)

Tel: +886-3-498-4188 Fax: +886-3-498-4198

E-Mail: thac@taiwanhoist.com.tw

INQUIRY FORM

Your Company's Information:

Company: _____ Name: _____
 Address: _____
 Telephone: _____ Fax: _____
 E-Mail: _____ Website: _____

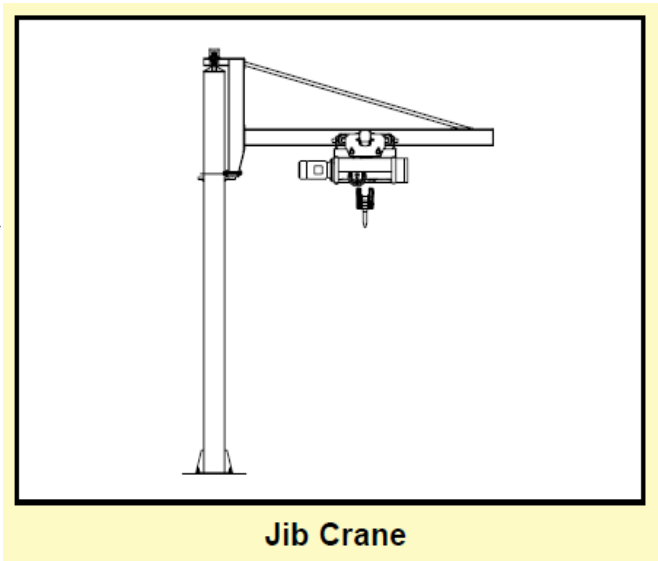
Jib Crane Basic Specifications:

Indoor use Outdoor use
 Crane Purpose: _____
 Load Capacity: _____
 Lifting Height: _____
 Arm Length: _____

Inverter Speed Single Speed
 Lifting Speed: _____m/min
 Lifting Speed: Maker's Standard
 Cross Trolley Speed: _____m/min
 Cross Trolley Speed: Maker's Standard
 Swivel Speed: _____m/min
 Swivel Speed: Maker's Standard
 Hand Swivaling

Working Duty: _____ hours/day.
 Or Duty Cycle: _____%ED

With Wireless Radio Remote Controller



Low Headroom

Monorail



Special Comments:

Please fax this sheet to +886-3-4984198. Or E-Mail to thac@taiwanhoist.com.tw
 We will response immediately.